

tyco

Electronics

Introducing...



AMP Universal MATE-N-LOK Sealed Bulkhead Connectors

DESCRIPTION

- Bulkhead mount Universal MATE-N-LOK connector that facilitates sealed panel mounting and works with existing Universal MATE-N-LOK seals to provide a fully-sealed interconnection system.

KEY FEATURES

- Available in 4, 6, 9 and 12 positions
- Sealed, flange mount design
- Mates to standard Universal MATE-N-LOK plug housings
- Accepts standard Universal MATE-N-LOK contacts

APPLICATIONS

- Vending Machines
- Industrial Machinery
- Lighting
- HVAC Equipment

- Works with standard Universal MATE-N-LOK connector interface and wire seals
- Anti-rotation feature aids installation
- Rear mount flange design enables use in wire harnesses
- Pins and sockets can be intermixed in the same housing

AMP Universal MATE-N-LOK Sealed Bulkhead Connectors

ELECTRICAL

- Dielectric Withstanding Voltage: 5.0 KVAC or 10.0 KVDC between adjacent circuits
- Insulation Resistance: 1000 megohms minimum initial between adjacent circuits
- Voltage Rating: 600 V AC or DC

MECHANICAL

- Durability: 50 cycles, mating and unmating

MATERIALS

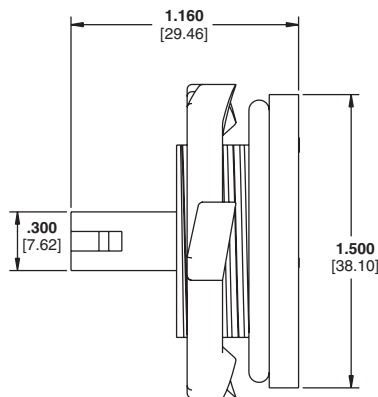
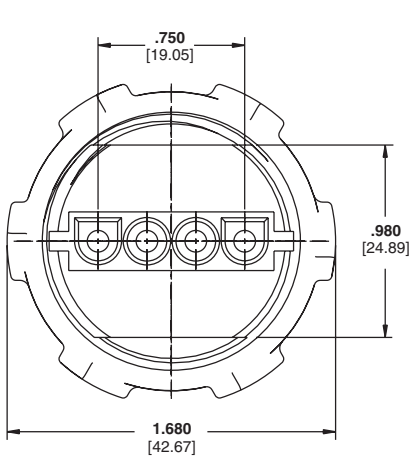
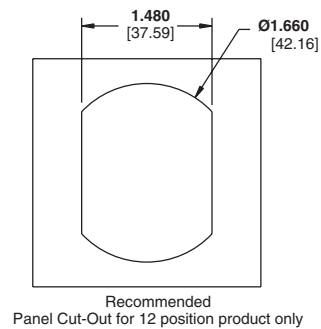
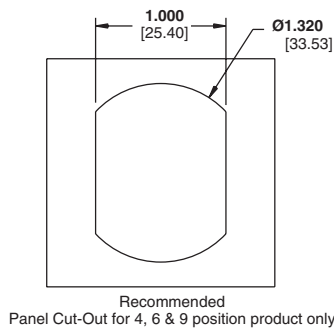
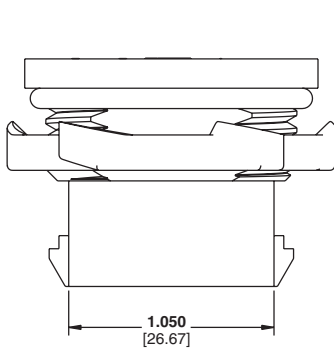
- Housing: Nylon, UL 94V-0 rated
- Contacts: Brass with pre-tin or gold plating
- O-ring Seal: Neoprene
- Locking Nut: Steel, zinc plated

STANDARDS & SPECS

- Product Specification: 108-1031 (Universal MATE-N-LOK Connectors)
- Application Specification: 114-1010 (Universal MATE-N-LOK Contacts)
- UL Recognized, File No. E28476
- CSA Certified, File No. 1030930

PRODUCT DIMENSIONS & OFFERING

Part Number 1604256 (4 Position Cap Housing shown)



Part Numbers:

- 1604256-1 4 Pos. Cap Housing (In Line)
- 1604210-1 6 Pos. Cap Housing (Matrix)
- 1604254-1 9 Pos. Cap Housing (Matrix)
- 1604941-1 12 Pos. Cap Housing (Matrix)

Note:

Request Soft Shell Pin and Socket Connectors Catalog 82181 for contacts, mating plug housings and seals.

FOR MORE INFORMATION

Technical Support
Internet: www.tycoelectronics.com
E-mail:
newproducts@tycoelectronics.com

USA: 1-800-522-6752
Canada: 1-905-470-4425
Mexico: 01-800-733-8926
C. America: 52-55-5-792-0425

South America: 55-11-3611-1514
Hong Kong: 852-2735-1628
Japan: 81-44-844-8013
UK: 44-141-810-8967